

MATERIAL HANDLING EQUIPMENTS

pg. 126 - pg. 156

ideal for space



METAL PLATFORM TROLLEY 200KG



Product		Platform Trolley without Handle	Fixed Handle Platform Trolley	Foldable Handle Platform Trolley
Product code		KMT 104	KMT 114	KMT 134
Dimension	mm	480W x 740L x 145H	480W x 740L x 845H	480W x 740L x 845H
Capacity	kg	200		
Castor wheel	mm	Ø100 Grey TPR wheel 2 swivel & 2 rigid		
Net Weight	kg	8	11.6	11.6
Measurement	M ³	0.046	0.046	0.046



Product		2 Shelf 1 Handle Trolley	2 Shelf 2 Handle Trolley	3 Shelf 1 Handle Trolley
Product code		KMT 214	KMT 224	KMT 314
Dimension	mm	480W x 740L x 895H	480W x 740L x 895H	480W x 740L x 905H
Capacity	kg	200		
Castor wheel	mm	Ø100 Grey TPR wheel 2 swivel & 2 rigid		
Net Weight	kg	19	19	24.5
Measurement	M ³	0.051	0.051	0.06



Product		3 Shelf 2 Handle Trolley	2 Shelf Trolley with Ledge	3 Shelf Trolley with Ledge
Product code		KMT 324	KMT 254	KMT 354
Dimension	mm	480W x 740L x 905H	480W x 740L x 895H	480W x 740L x 905H
Capacity	kg	200		
Castor wheel	mm	Ø100 Grey TPR wheel 2 swivel & 2 rigid		
Net Weight	kg	24.5	20.5	27
Measurement	M ³	0.05	0.088	0.117

METAL PLATFORM TROLLEY 200KG



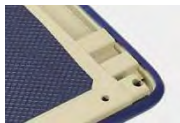
10)



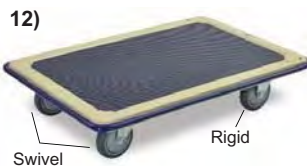
11)

Product		Full Iron Net Trolley	2 Shelf Trolley with Iron Net
Product code		KMT 174	KMT 274
Dimension	mm	480W x 740L x 850H	480W x 740L x 1050H
Capacity	kg	200	
Castor wheel	mm	Ø100mm Grey TPR wheel 2 swivel & 2 rigid	
Net weight	kg	20	27.6
Measurement	m ³	0.068	0.083

METAL PLATFORM TROLLEY 300KG



Reinforced Double U Steel Bar to strengthen platform solidness.



12)

Swivel

Rigid



13)



14)

Product		Platform Trolley without Handle	Fixed Handle Platform Trolley	Foldable Handle Platform Trolley
Product code		KMT 105	KMT 115	KMT 135
Dimension	mm	590W x 890L x 180H	590W x 890L x 840H	590W x 890L x 840H
Capacity	kg	300		
Castor wheel	mm	Ø125mm Grey TPR wheel 2 swivel & 2 rigid		
Net weight	kg	15.5	19	19
Measurement	M ³	0.074	0.074	0.074

ACCESSORIES



KBS 05
Platform Trolley Brake System



15)



16)



17)

Product		2 Shelf 1 Handle Trolley	2 Shelf 2 Handle Trolley	3 Shelf 1 Handle Trolley
Product code		KMT 215	KMT 225	KMT 315
Dimension	mm	590W x 890L x 945H	590W x 890L x 945H	590W x 890L x 965H
Capacity	kg	300		
Castor wheel	mm	Ø125mm grey TPR wheel 2 swivel & 2 rigid		
Net weight	kg	31	31	42
Measurement	M ³	0.097	0.097	0.111

METAL PLATFORM TROLLEY

300KG

ACCESSORIES



KBS 05
Platform Trolley Brake System



18)



19)



20)

Product		3 Shelf 2 Handle Trolley	2 Shelf Trolley with Ledge	3 Shelf Trolley with Ledge
Product code		KMT 325	KMT 255	KMT 355
Dimension	mm	590W x 890L x 965H	590W x 890L x 945H	590W x 890L x 965H
Capacity	kg	300		
Castor wheel	mm	Ø125mm grey TPR wheel 2 swivel & 2 rigid		
Net weight	kg	42	32.5	44.5
Measurement	m ³	0.111	0.15	0.194

ACCESSORIES



KBS 05
Platform Trolley Brake System



21)



22)



23)



24)

Product		Full Iron Net Trolley	Platform Trolley with Side Rail	2 Shelf Trolley with Cage	2 Shelf Trolley with Iron Net
Product code		KMT 175	KMT 185	KMT 285	KMT 275
Dimension	mm	590W x 890L x 920H	590W x 890L x 880H	590W x 890L x 945H	590W x 890L x 1100H
Capacity	kg	300			
Castor wheel	mm	Ø125mm grey TPR wheel 2 swivel & 2 rigid			
Net weight	kg	30	22.4	31	40
Measurement	m ³	0.1	0.087	0.097	0.112

METAL PLATFORM TROLLEY

400KG



25)

Swivel

Rigid



26)



27)

Product		1 Fixed Handle Platform Trolley	2 Fixed Handle Platform Trolley	Foldable Handle Platform Trolley
Product code		KMT 116	KMT 126A	KMT 136
Dimension	mm	770W x 1235L x 815H	790W x 1250L x 815H	770W x 1235L x 815H
Capacity	kg	400		
Castor wheel	mm	Ø150mm grey TPR wheel 2 swivel & 2 rigid		
Net weight	kg	39.5	47.2	43
Measurement	m ³	0.138	0.198	0.19

METAL PLATFORM TROLLEY 400KG



Product		Full Iron Net Trolley	Platform Trolley with Side Rail	Platform Trolley with End Gate
Product code		KMT 176	KMT 186	KMT 196
Dimension	mm	770W x 1235L x 970H	770W x 1235L x 845H	770W x 1235L x 1270H
Capacity	kg	400		
Castor wheel	mm	Ø150 Grey TPR wheel 2 swivel & 2 rigid		
Net weight	kg	48	45.5	43
Measurement	m ³	0.20	0.20	0.20

METAL PLATFORM TROLLEY 500KG



Product		1 Fixed Handle Platform Trolley	2 Fixed Handle Platform Trolley	Foldable Handle Platform Trolley
Product code		KMT 118	KMT 128A	KMT 138
Dimension	mm	770W x 1235L x 850H	790W x 1250L x 860H	770W x 1235L x 875H
Capacity	kg	500		
Castor wheel	mm	Ø200 Grey TPR wheel 2 swivel & 2 rigid		
Net weight	kg	42.5	49	46
Measurement	m ³	0.138	0.198	0.19

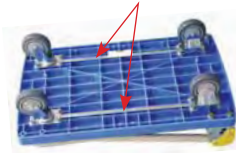


Product		Full Iron Net Trolley	Platform Trolley with Side Rail	Platform Trolley with End Gate
Product code		KMT 178	KMT 188	KMT 198
Dimension	mm	770W x 1235L x 1030H	770W x 1235L x 905H	770W x 1235L x 1330H
Capacity	kg	500		
Castor wheel	mm	Ø200mm Grey TPR wheel 2 swivel & 2 rigid		
Net weight	kg	57	53.5	51
Measurement	m ³	0.20	0.20	0.20

PVC PLATFORM TROLLEY

150KG-200KG

Reinforced steel bar underside to strengthen platform solidness.



LOAD CAPACITY
Enhance to
200KG



Product		Foldable Handle PVC Platform Trolley	PVC 2 Shelf 1 Handle Trolley
Product code		KPT 134	KPT 214
Dimension	mm	455W x 710L x 880H	455W x 710L x 930H
Capacity	kg	200	150
Castor wheel	mm	Ø100mm Grey TPR wheel 2 swivel & 2 rigid	
Net weight	kg	10.2	14.2
Measurement	m ³	0.05	0.066

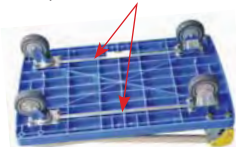


Product		PVC 2 Shelf 2 Handle Trolley	PVC 3 Shelf 1 Handle Trolley	PVC 3 Shelf 2 Handle Trolley
Product code		KPT 224	KPT 314	KPT 324
Dimension	mm	455W x 710L x 930H	455W x 710L x 950H	455W x 710L x 950H
Capacity	kg	150		
Castor wheel	mm	Ø100mm Grey TPR wheel 2 swivel & 2 rigid		
Net weight	kg	14.2	17.7	17.7
Measurement	m ³	0.066	0.077	0.077

PVC PLATFORM TROLLEY

300KG - 350KG

Reinforced **steel bar** underside to strengthen platform solidness.



LOAD CAPACITY
Enhance to
350KG



Product		Foldable Handle PVC Platform Trolley	PVC 2 Shelf 1 Handle Trolley
Product code		KPT 135	KPT 215
Dimension	mm	609W x 914L x 860H	609W x 914L x 960H
Capacity	kg	350	300
Castor wheel	mm	Ø125mm Grey TPR wheel 2 swivel & 2 rigid	
Net weight	kg	15.2	20.8
Measurement	m ³	0.091	0.12

PVC PLATFORM TROLLEY 300KG - 350KG



Product		PVC 2 Shelf 2 Handle Trolley	PVC 3 Shelf 1 Handle Trolley	PVC 3 Shelf 2 Handle Trolley
Product code		KPT 225	KPT 315	KPT 325
Dimension	mm	609W x 914L x 960H	609W x 914L x 980H	609W x 914L x 980H
Capacity	kg	300		
Castor wheel	mm	Ø125mm Grey TPR wheel 2 swivel & 2 rigid		
Net weight	kg	20.8	26.8	26.8
Measurement	m ³	0.12	0.146	0.146

STAINLESS STEEL PLATFORM TROLLEY 200KG - 350KG



Product		Stainless Steel Platform Trolley	
Product code		KST 134	KST 135
Dimension	mm	480W x 735L x 855H	575W x 870L x 855H
Capacity	kg	200	350
Castor wheel	mm	Ø100mm Grey TPR wheel 2 swivel & 2 rigid stainless steel castor	Ø125mm Grey TPR wheel 2 swivel & 2 rigid stainless steel castor
Net weight	kg	11.6	16.7
Measurement	m ³	0.043	0.068

ALUMINIUM EXPANDABLE TROLLEY 100KG - 150KG

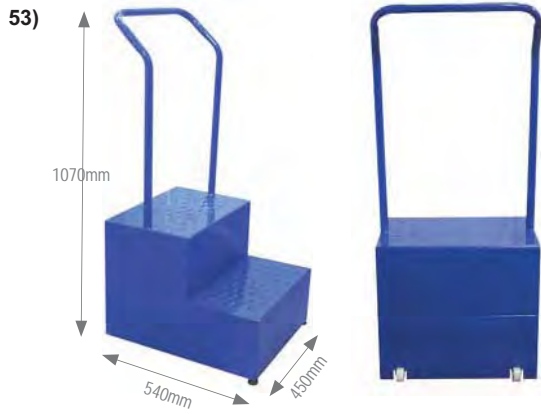


Product		Aluminium Expandable Trolley	2 Wheels Aluminium Hand Truck	
Product code		KAT 414	KAT 316	KAT 326
Dimension	mm	420W x 720L x 830H	415W x 400L x 1100H	415W x 400L x 1100H
Capacity	kg	150	100	120
Castor wheel	mm	Ø100mm Grey TPR wheel 2 swivel & 2 rigid	Ø150mm black rubber wheel	
Net weight	kg	8.5	7	7.3
Meas.	m ³	0.054	0.06	0.06

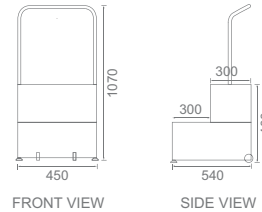
Komada Foldable Hand Truck

Product code	: FT 5MS
Dimension (mm)	: 390W x 400L x 1000H
Foldable size (mm)	: 390W x 50L x 630H
Capacity (kg)	: 70
Material made	: Aluminium alloy

FOOT STOOL 100KG



Product		Foot Stool
Product code		2SS
Overall height	mm	1070
Width	mm	450
Overall platform length	mm	540
Overall platform height	mm	500
Castor wheel	in.	Ø3" rigid castor
Capacity	kg	100

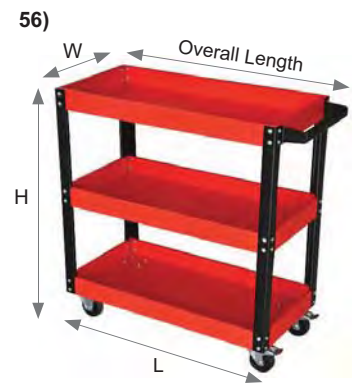


TOOL CABINET TROLLEY



Product		Tool Cabinet Trolley	
Product code		TBC 3005	TBC 3007
Dimension	mm	460W x 680L x 820H	460W x 890L x 980H
Overall length	mm	755 (include handle)	
No. of drawer		5	7
Colour		Red	

Product colours depends on stock.



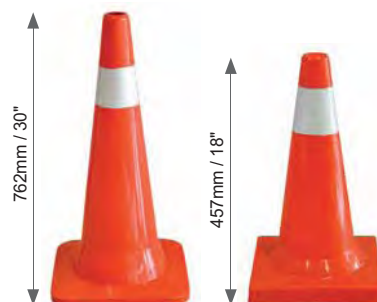
Product		3-tier Tool Cart	
Product code		TC 302	
Dimension	mm	345W x 700L x 760H	
Overall length	mm	775 (include handle)	
Capacity	kg	150	

ELASTIC POLE



57)
Komada Elastic Pole
Product code : **ETP**
Diameter (mm) : **Ø80**
Height (mm) : **780**

SAFETY CONE



58)
Komada Safety Cone
Product code : **SC 18**
Height (mm) : **457**
Product code : **SC 30**
Height (mm) : **762**

Metal Trolley



Product code		NB 101 (F)	NB S101 (F)	NB 104	NB 114	NB 105	NB 115	NB 107
W x L x H	mm	480 x 740 x 895	480 x 740 x 895	480 x 740 x 850	480 x 740 x 850	480 x 740 x 850	480 x 740 x 850	480 x 740 x 890
Capacity	kg	150	150	150	150	150	150	150

Product code		NF 301 (F)	NF S301 (F)	NF 304	NF 314	NF 305	NF 315	NF 307
W x L x H	mm	610 x 910 x 900	610 x 910 x 900	610 x 910 x 950	610 x 910 x 950	610 x 805 x 970	610 x 910 x 970	610 x 910 x 900
Capacity	kg	300	300	300	300	300	300	300

Metal Trolley



Product code		NB 127	TF 402	PG 502	NG 401 (F)	NG S401 (F)	NG 403	NG 407
W x L x H	mm	440 x 680 x 985	600 x 855 x 855	775 x 1160 x 860	790 x 1100 x 845	790 x 1100 x 845	790 x 1050 x 830	750 x 1200 x 950
Capacity	kg	150	400	600	400	400	400	400

Product code		NF 327	TF 403	PG 503	NG 402	NG S402
W x L x H	mm	610 x 910 x 1070	600 x 900 x 895	775 x 1225 x 860	790 x 1240 x 830	790 x 1240 x 830
Capacity	kg	300	400	600	400	400

Remarks: (F) = Foldable Handle

PVC Trolley



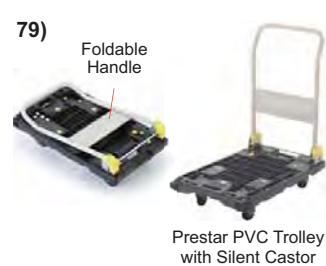
Product code		PB 100G	PB 101G	PB S101G	PB 104G	PB 105G	PB 114G	PB 115G
W x L x H	mm	455W x 710L	455 x 710 x 905		455 x 710 x 860	455 x 710 x 865	455 x 710 x 860	455 x 710 x 865
Capacity	kg	150	150		150	150	150	150

Product code		PF 300G	PF 301G	PF S301G	PF 304G	PF 305G	PF 314G	PF 315G
W x L x H	mm	600W x 900L	600 x 900 x 905		600 x 900 x 950	600 x 900 x 970	600 x 900 x 950	600 x 900 x 970
Capacity	kg	300	300		300	300	300	300

S - Stopper

150kg - 4" castor wheel, 300kg - 400kg - 5" castor wheel, 600kg - 8" castor wheel

PVC Trolley



Slim Cart



Product code		PM 201 P	4SNS303	6SC503	6SC503-WS
W x L x H	mm	790 x 505 x 900	480 x 1020 x 1650	445 x 1277 x 1500	445 x 1277 x 1500
Capacity	kg	200	300	500	500
Remarks		-	With brake	Without brake	Without brake

Work Tainer



Product code		WTP110-80
W x L x H	mm	800 x 1100 x 1700
Capacity	kg	500
Castor wheel	in.	Ø6" rubber wheel
N.W.	kg	54

* Materials & specifications are subject to change without prior notice.

SLIM CART 350KG



Product		6 Wheel Nestable Slim Cart with Brake	6 Wheel Slim Cart with Brake
Product code		NC501-BS	ND503-BS
External dimension	mm	430W x 1290L x 1550H	425W x 1300L x 1510H
Internal dimension	mm	420W x 1125L x 1300H	420W x 1165L x 1300H
Castor wheel	in.	4 x Ø4" swivel (front & back), 2 x Ø5" rigid (middle)	4 x Ø4" swivel (front & back), 2 x Ø5" rigid (middle)
Capacity	kg	350	350

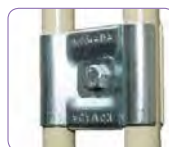
WORK TAINER 500KG



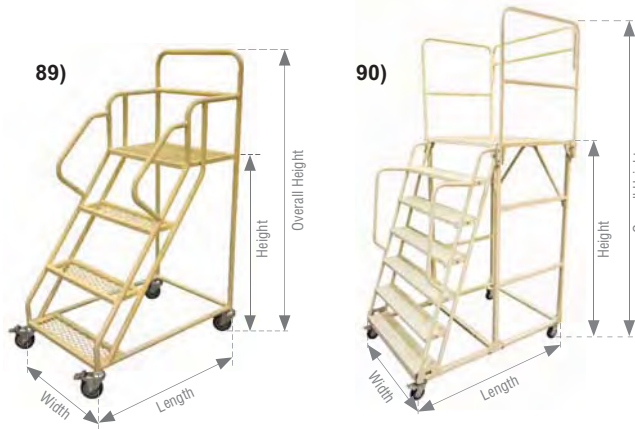
Product		Work Tainer	Work Tainer with Swinging Door
Product code		SWT 500PR	STD 500PR
Dimension	mm	790W x 1080L x 1700H	790W x 1080L x 1700H
Capacity	kg	500	500
Castor wheel		Ø150mm press rubber 2 swivel & 2 side brake	
Net weight	kg	49	66

Komada Work Tainer Shelf

Product code : WTS 7201100
 Dimension (mm) : 720W x 1100L
 Capacity (kg) : 50

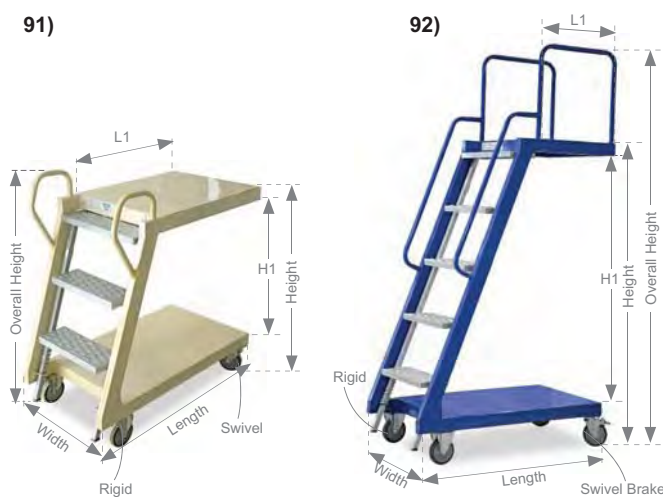


PLATFORM ORDER PICKER 300KG



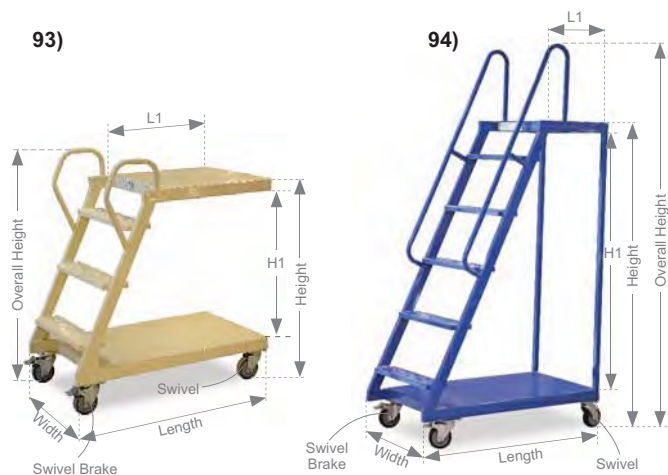
Product code		POP 4M	POP 7
Width	mm	630	965
Length	mm	970	1310
Height	mm	985	1605
Overall height	mm	1485 (include castor wheel)	2400 (include castor wheel)
Ladder step		4	7
Castor wheel	in.	Ø4" castor wheel 2 swivel 2 rigid	
Capacity	kg	300	300
Net weight	kg	22	64
Measurement	m ³	0.91	0.32

LADDER TROLLEY



Product		Ladder Trolley	
Product code		LT 3	LT 5
Width	mm	560	560
Length	mm	1070	1070
Height	mm	1025	1578
Overall height	mm	1150	2030
H1	mm	730	1285
L1	mm	710	480
Net wight	kg	41	46
Colour		Beige	Blue
Ladder step		3	5
Finishing		Epoxy powder coating Electronic zinc plating (ladder)	
Castor wheel	in.	Ø5" rigid / swivel / swivel brake	
Capacity	kg	80 (Top)	60 (Top)
		220 (Bottom)	240 (Bottom)

PICKING TROLLEY

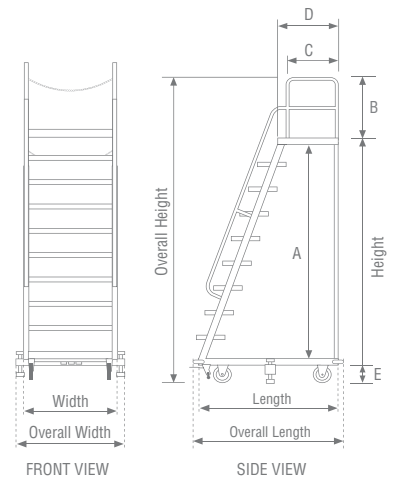


Product		Picking Trolley	
Product code		SK 3	SK 5
Width	mm	510	510
Length	mm	920	1020
Height	mm	890	1505
Overall height	mm	1020	1862
H1	mm	650	1270
L1	mm	510	320
Net wight	kg	30	36
Colour		Beige	Blue
Ladder step		3	5
Finishing		Epoxy powder coating	
Castor wheel	in.	Ø4" swivel / swivel brake	
Capacity	kg	50 (Top), 200 (Bottom)	

PICKER CART



Product code	PC BS 6	PC BS 7	PC BS 8	PC BS 9	PC BS 10	PC BS 11
Ladder step	6	7	8	9	10	11
Width	mm 765					
Overall width	mm 805	mm 805	mm 870	mm 875	mm 880	mm 880
Length	mm 1220	mm 1310	mm 1425	mm 1530	mm 1615	mm 1702
Overall length	mm 1270	mm 1355	mm 1465	mm 1575	mm 1665	mm 1750
Height	mm 1685	mm 1985	mm 2283	mm 2600	mm 2885	mm 3205
Overall height	mm 2750	mm 3050	mm 3350	mm 3660	mm 3940	mm 4260
A	mm 1555	mm 1850	mm 2150	mm 2460	mm 2740	mm 3065
B	mm 895					
C	mm 555					
D	mm 680	mm 660	mm 660	mm 660	mm 660	mm 660
E	mm 160					
Castor wheel	in. Ø5" rigid / swivel brake					
Finishing	Epoxy powder coating					
Colour	Blue					
Capacity	kg 100kg (Top), 200kg (Bottom)					
Remarks	W/O extended foot			C/W extended foot		



Extended foot bar enhance stability.



Double brake system functioned by to step on.



PVC bumper helps to prevent damage.



Safety chain.

CASTOR WHEEL



Product code		KMD 4R-TPR	KMD 5R-TPR	KMD 6R-TPR	KMD 8R-TPR	KMD 6S-PR
Product	in.	4" KMD TPR wheel rigid castor	5" KMD TPR wheel rigid castor	6" KMD TPR wheel rigid castor	8" KMD TPR wheel rigid castor	6" KMD press rubber swivel castor
Dimension	mm	Ø100 x 32 x 124 (H)	Ø125 x 32 x 155 (H)	Ø150 x 50 x 193 (H)	Ø200 x 50 x 240 (H)	Ø150 x 36 x 190 (H)
Load weight/pcs	kg	80	110	300	350	200



Product code		KMD 4S-TPR	KMD 5S-TPR	KMD 6S-TPR	KMD 8S-TPR	KMD 6B-PR
Product	in.	4" KMD TPR wheel swivel castor	5" KMD TPR wheel swivel castor	6" KMD TPR wheel swivel castor	8" KMD TPR wheel swivel castor	6" KMD press rubber side brake castor
Dimension	mm	Ø100 x 32 x 124 (H)	Ø125 x 32 x 155 (H)	Ø150 x 50 x 193 (H)	Ø200 x 50 x 240 (H)	Ø150 x 36 x 190 (H)
Load weight/pcs	kg	80	110	300	350	200



Product code		HR4R	HR4SB	PP4S	PP4R	PP4B	TPY4HF	TPY4BHF
Product	in.	4" Black Hard Rubber Wheel Rigid Castor	4" Black Hard Rubber Wheel Side Brake Castor	4" Swivel PP Castor	4" Rigid PP Castor	4" Brake PP Castor	4" Hole Fitting TPY Castor	4" Brake Hole Fitting TPY Castor
Load weight/pcs	kg	50	50	70	70	70	80	80
Remarks		3 Tier Tool Cart use.		PP nylon wheel castor.			POP4M Order Picker & Shopping Trolley SH125A use.	



Product code		GPU4HF	GPU5HF	MHSC4S-RPU	MHSC4R-RPU	MHSC4B-RPU	MHSC5S-RPU	MHSC5R-RPU	MHSC5B-RPU	
Description	in.	4" hole fitting GPU castor	5" hole fitting GPU castor	4" MHSC swivel red PU castor	4" MHSC rigid red PU castor	4" MHSC brake red PU castor	5" MHSC swivel medium duty red PU castor	5" MHSC rigid medium duty red PU castor	5" MHSC brake medium duty red PU castor	
Load weight/pc	kg	80	100	220	220	220	250	250	250	
Remarks		Shopping trolley use.			Pallet mesh & trolley use.					



Thermoplastic Grey Rubber Wheel Castor								
Product code		ETHOS4S	ETHOS4R	ETHOS4B	ETHOS5S	ETHOS5R	ETHOS5B	
Product	in.	4" swivel ETHOS TPR castor	4" rigid ETHOS TPR castor	4" brake ETHOS TPR castor	5" swivel ETHOS TPR castor	5" rigid ETHOS TPR castor	5" brake ETHOS TPR castor	
Load weight/pc	kg	110	110	110	130	130	130	
Remarks		Picking trolley SK 3 & SK 5 use.			Ladder trolley LT 3 & LT5 use.			

* Materials & specifications are subject to change without prior notice.

CASTOR WHEEL

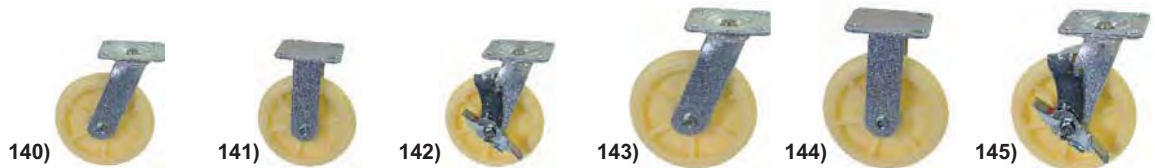


Product code		BR5S	BR5R	BR5B	BER5R	BER5B	KMT5S-HBP	KMT5R-HBP
Product	in.	5" swivel black rubber castor	5" rigid black rubber castor	5" brake black rubber castor	5" rigid blue elastic rubber castor	5" brake blue elastic rubber castor	5" swivel castor TPR wheel	5" rigid castor TPR wheel
Load weight/pc	kg	80	80	80	130	130	110	110
Remarks					Picker cart use.		HBP 300 (300kg plastic hand truck) use.	



Cast Iron Red Polyurethane (PU) Wheel Castor (Pallet Mesh use)

Product code		CI5S	CI5R	CI5B	CI6S	CI6R	CI6B
Product	in.	5" swivel cast iron PU castor	5" rigid cast iron PU castor	5" brake cast iron PU castor	6" swivel cast iron PU castor	6" rigid cast iron PU castor	6" brake cast iron PU castor
Load weight/pc	kg	250	250	250	300	300	300



GLOBE Heavy Duty PP Wheel Castor (Pallet Mesh & Trolley use)

Product code		GE6S-PP	GE6R-PP	GE6B-PP	GE8S-PP	GE8R-PP	GE8B-PP
Product	in.	6" GLOBE swivel heavy duty PP castor	6" GLOBE rigid heavy duty PP castor	6" GLOBE brake heavy duty PP castor	8" GLOBE swivel heavy duty PP castor	8" GLOBE rigid heavy duty PP castor	8" GLOBE brake heavy duty PP castor
Load weight/pc	kg	300	300	300	400	400	400



Product code		PW2T	PW2TB	PW2RS1	PW/50/P#	GR2HF	GR2BHF	GR3TSF
Product	in.	2" PVC wheel with thread	2" PVC wheel with thread & brake	2" PVC wheel with 1" round socket	2" PVC wheel (without round socket)	2" grey rubber hole fitting	2" brake grey rubber hole fitting	3" grey rubber wheel castor thread stem fitting
Load weight/pc	kg	30	30	30	30	35	35	20
Remarks		4WS, XS, CDS, EWPS, AWPS, MR2, T-Stand, NPS, US, SB Tray use.		OB1L, OB2L, OB3L use.		Stackable basket tray use.		Shopping basket trolley use.

153)

Load Wheel c/w Bearing		
Product code	Description (mm)	Load weight (kg)
LPU6595B	Load PU wheel 65 x 95L	800
LPU8060B	Load PU wheel 80 x 60L	800
LPU8075B	Load PU Wheel 80 x 75L	750 / 800
LPU8093B	Load PU wheel 80 x 93L	800
LPU80100B	Load PU wheel 80 x 100L	800

Hand pallet truck use.

154)

Steering Wheel c/w Bearing		
Product code	Description (mm)	Load weight (kg)
SPU15050B	Steering PU wheel 150 x 50L	800
SPU18050B	Steering PU wheel 180 x 50L	800
SPU18060B	Steering PU wheel 180 x 60L	800
SPU18070B	Steering PU wheel 180 x 70L	800
SPU20050B	Steering PU wheel 200 x 50L	800

Hand pallet truck use.



155)



Smart Lithium Battery

EPL153 is lifted by electricity and lowered manually, there is no need to worry about damaging goods by uncontrollable lowering.



Newly Designed Handle Head

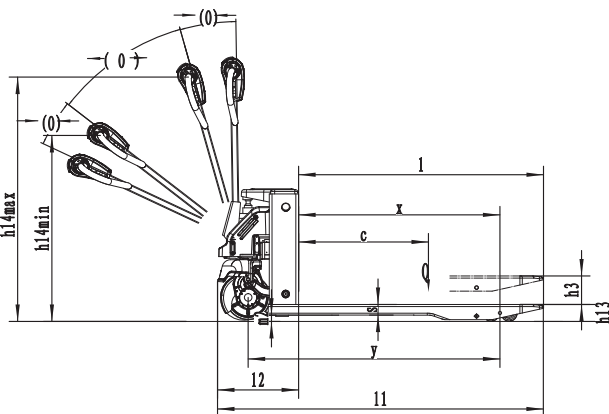
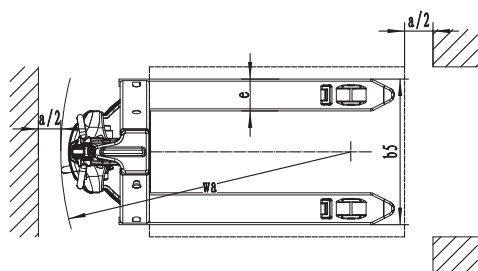
EPL153 uses lithium batteries and built-in chargers, so it can be used even when charged. It saves worries about the endurance and there is no need of special charging area.

Pass Market Tests Of Safety And Reliability

EPL153 has 10-year market-tested components.

FULLY AUTO HAND PALLET TRUCK

Product code	EPL 153-15	
Drive unit	Battery	
Operator type	Pedestrian	
Rated capacity (Q)	kg	1500
Load center distance (c)	mm	600
Load distance (x)	mm	950(880)
Wheelbase (y)	mm	1190(1120)
Weight		
Service weight (include battery)	kg	115
Axle loading, laden driving side/loading side	kg	540/1070
Axle loading, unladen driving side/loading side	kg	100/15
Types Chassis		
Tyre type driving wheels/loading wheels	PU	
Tyre size, driving wheels (diameter x width)	mm	Ø210x70
Tyre size, loading wheels (diameter x width)	mm	Ø210x70
Tyre size, caster wheels (diameter x width)	mm	Ø80x60 (Ø74x88)
Wheels, number driving, caster/loading (x=drive wheels)	mm	1x/4 (1x/2)
Dimensions		
Lift height (h3)	mm	115
Height drawbar in driving position min./max. (h14)	mm	750/1190
Lowered height (h13)	mm	80
Overall length (l1)	mm	1550
Length to face of forks (l2)	mm	400
Overall width (b1)	mm	560(685)
Fork dimensions (sxexl)	mm	50x150x1150
Distance between fork-arms (b5)	mm	560(685)
Ground clearance, center of wheelbase	mm	30
Aisle width for pallets 1000 x 1200 crossways	mm	1650
Aisle width for pallets 800 x 1200 lengthways	mm	1850
Turning radius	mm	1390
Performance Data		
Travel speed, laden/ unladen	km/h	4/4.5
Lifting speed, laden/ unladen	m/ s	0.017/0.024
Lowering speed, laden/ unladen	m/ s	0.09/0.06
Max. gradeability, laden/ unladen	%	6\16
Service brake type	electric	
Electric-engine		
Drive motor rating S2 60 min	kW	0.75
Lift motor rating at S3 15%	kW	0.5
The maximum allowed size battery	mm	230x260x85
Battery voltage/ nominal capacity K5	V/Ah	24/20
Battery weight	kg	5
Addition Data		
Type of drive control	DC	
Steering type	mechanical	
Sound pressure level at the driver's ear	dB (A)	<74



156)

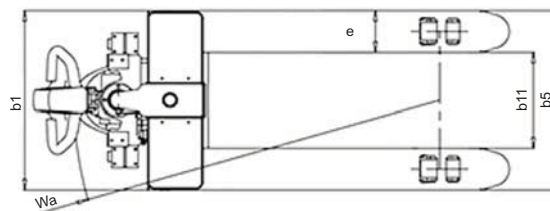
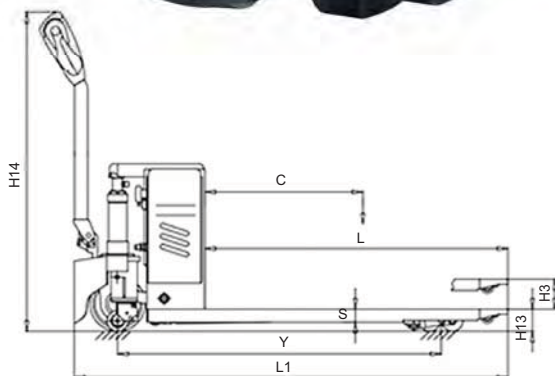
- ▶ Circuit board integrated structure: neat appearance, easy to install and maintenance, save installation and maintenance time.
- ▶ The installation position is optimized and the stroke switch is re-selected to make the performance more stable and reliable.
- ▶ Control power supply, from the control power supply, controller internal isolation circuit, to avoid the generation of interference.
- ▶ When the battery voltage is lower than 30%, the power unit will not be able to start, which effectively protects the motor and battery of the power unit and improves the battery and motor life.
- ▶ Open skeleton structure, the appearance is more simple and beautiful. Installation and maintenance are more convenient.
- ▶ Hollow lifting rod, cylinder head external thread seal, more reasonable structure, more stable performance, reduce the failure rate.

FULLY AUTO HAND PALLET TRUCK

Product code		CBD20X
Capacity	kg	2000
Load center (C)	mm	600
Type of lifting		Electric
Operating type		Walkie
Wheel		
Material		PU
Wheel base (Y)	mm	1230/1300
Qty of Bearing / Driving / Balance Wheel		1x+2/4
Bearing wheel	mm	Ø80 x 70
Driving wheel	mm	Ø210 x 75
Balance wheel	mm	Ø75 x 46
Dimension		
Min. fork height (H13)	mm	85
Max. fork height (H12)	mm	200
Max. lifting height (H3)	mm	115
Fork outside width (b5)	mm	560/685
Fork inside width (b11)	mm	240/365
Fork length (L)	mm	1150/1220
Single fork size (e/s)	mm	160/50
Overall length (L1)	mm	1650/1720
Overall width (b1)	mm	685
Overall height (H14)	mm	1220
Handle vertical height	mm	1220
Min. turning radius (Wa)	mm	1385/1455
Performance		
Travel speed (laden/unladen)	km/h	4/5
Lifting speed (laden/unladen)	m/s	25/30
Lowering speed (laden/unladen)	m/s	30/20
Fast / slow adjustment function		Yes
Gradeability	%	≤4
Driving mode		DC
Electrical		
Drive motor	V/Kw	24V/0.75Kw
Lift motor	V/Kw	24V/0.8Kw
Battery capacity	V/Ah	2 x 12/80
Charger	V/A	24V12A
Weight		
Battery weight	kg	24



Product colours depends on stock: red / yellow.



157)

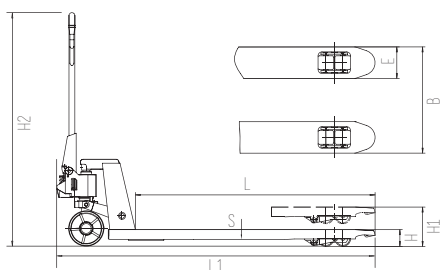


RZ Series Hand Pallet Truck

Product code		RZ 25N	RZ 25	RZ 30N	RZ 30
Capacity	kg	2500	2500	3000	3000
Min. fork height (H)	mm	85	85	85	85
Max. fork height (H1)	mm	190 / 200	190 / 200	190 / 200	190 / 200
Max. lifting height	mm	≥110			
Fork outside width (B)	mm	540	685	540	685
Fork inside width	mm	220	365	220	365
Fork length (L)	mm	1150	1220	1150	1220
Single fork size (E) x (S)	mm	160 x 50			
Overall length (L1)	mm	1315-1620			
Overall width	mm	540	685	540	685
Overall height (H2)	mm	1245			
Single load wheel	mm	Ø80 x 93			
Steering wheel	mm	Ø180 x 50			
Material of wheel		PU / Nylon			

Product colours depends on stock: red / yellow.

- 3 position control handle.
- Casting steel pump with safety overload & bypass system.
- Entry & exit rollers.
- Top balanceable reinforced fork frame.
- Solid steel lifting rods for extra strength.
- Options: nylon wheel, polyurethane wheel, rubber wheel single fork load wheel or tandem fork load wheel.

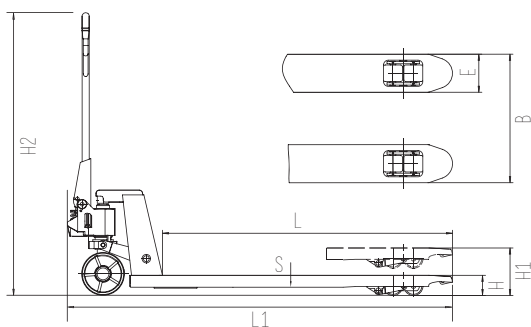


158)

Low Profile Hand Pallet Truck

Product code		RZ 20LPN	RZ 20LP
Capacity	kg	2000	2000
Min. fork height (H)	mm	52	
Max. fork height (H1)	mm	140 / 160	190 / 200
Max. lifting height	mm	88 / 95	≥110
Fork outside width (B)	mm	685	
Fork inside width	mm	200	
Fork length (L)	mm	1220	
Single fork size (E) x (S)	mm	160 x 37	160 x 50
Overall length (L1)	mm	1315-1620	
Overall width	mm	520	
Overall height (H2)	mm	1225	1245
Single loading wheel	mm	Ø50 x 93	
Steering wheel	mm	Ø160 x 50	Ø180 x 50
Material of wheel		PU / Nylon	

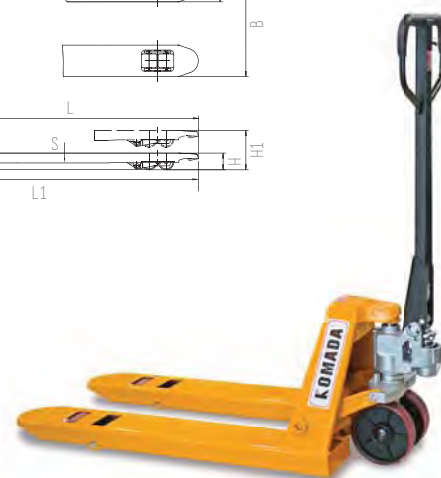
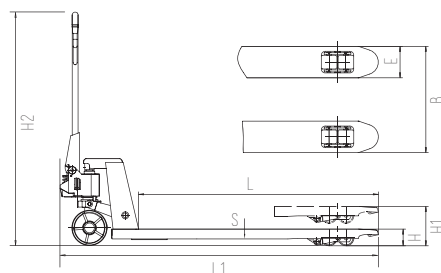
Product colours depends on stock: red / yellow.





159)

Short Fork Hand Pallet Truck		
Product code	RZ 25SF	
Capacity	kg	2500
Min. fork height (H)	mm	85
Max. fork height (H1)	mm	200
Max. lifting height	mm	≥110
Fork outside width (B)	mm	540
Fork inside width	mm	220
Fork length (L)	mm	915
Single fork size (E) x (S)	mm	160 x 50
Overall length (L1)	mm	1315-1620
Overall width	mm	540
Overall height (H2)	mm	1245
Single loading wheel	mm	Ø80 x 93
Steering wheel	mm	Ø180 x 50
Material of wheel	PU / Nylon	



Product colours depends on stock: red / yellow.

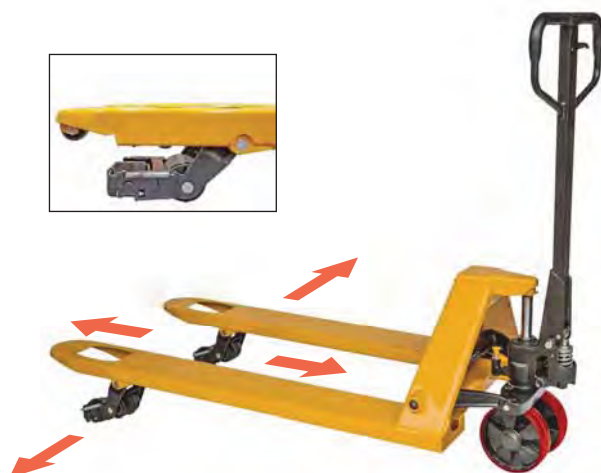
160)



Long Fork Hand Pallet Truck			
Product code		RZ 30XL	RZ 30XXL
Capacity	kg	3000	3000
Overall width	mm	685	685
Fork length	mm	1500	1800
Fork width	mm	160	
Min. fork height	mm	85	
Max. fork height	mm	200	
Steering wheel	mm	Ø180 x 50	
Loading wheel	mm	Ø74 x 70	
Material of wheel	PU / Nylon		

Product colours depends on stock: red / yellow.

161)



Four Way Hand Pallet Truck		
Product code	RZ 20FW	
Capacity	kg	2000
Min. fork height (H)	mm	85
Max. fork height (H1)	mm	200
Fork outside width (B)	mm	685
Fork inside width	mm	375
Fork length (L)	mm	1220
Single fork size (E) x (S)	mm	160 x 50
Overall length (L1)	mm	1315-1620
Overall width	mm	685
Overall height (H2)	mm	1245
Tandem loading wheel	mm	Ø74 x 70
Steering wheel	mm	Ø180 x 50
Material of wheel	PU / Nylon	

Product colours depends on stock: red / yellow.

➤ Allows operator to handle pallets easily in all four directions.

162)



Heavy Duty Hand Pallet Truck

Product code		HP 50N	HP 50
Capacity	kg	5000	5000
Fork size	mm	180 x 60 x 1220	180 x 60 x 1220
Fork outside width		540	685
Loading wheel	mm	Ø80 x 70	Ø80 x 70
Steering wheel	mm	Ø180 x 50	Ø180 x 50
Min. fork height	mm	85	85
Max. fork height	mm	200	200
Material of wheel		nylon / polyurethane	

Product colours depends on stock: red / yellow.

163)

Weight Scale Hand Pallet Truck

Product code		RZ ES25
Capacity	kg	2500
Min. fork height	mm	85
Max. fork height	mm	200
Fork outside width	mm	685
Fork inside width	mm	365
Fork length	mm	1220
Single fork size	mm	160 x 50
Overall length	mm	1570-1640
Overall width	mm	685
Overall height	mm	1245
Loading wheel	mm	Ø80x70
Steering wheel	mm	Ø180x50
Min. turning radius	mm	1450
Material of wheel		Polyurethane (PU)

Product colours depends on stock: red / yellow.

- Features weighing accuracy ±1kg for load 2500kg.
- Printer available.
- Kilogram or pounds available.



164)

Hot Dipped Galvanized Hand Pallet Truck

Product code		RZHG25	RZHG30
Capacity	kg	2500	3000
Overall width	mm	685	685
Fork length	mm	1220	1220
Min. fork height	mm	85	
Max. fork height	mm	200	
Steering wheel	mm	Ø180x50	
Loading wheel	mm	Ø80x70	
Material of wheel		Nylon / PU	



165)

Stainless Steel Hand Pallet Truck			
Product code		RZ 20SSN	RZ 20SS
Capacity	kg	2000	2000
Overall width	mm	540	685
Fork length	mm	1150	1220
Min. fork height	mm	85	
Max. fork height	mm	200	
Steering wheel	mm	Ø180x50	
Loading wheel	mm	Ø80x70	



166)

DF Series Hand Pallet Truck					
Product code		DF 25N	DF 30N	DF 25	DF 30
Capacity	kg	2500	3000	2500	3000
Single fork size	mm	160 x 60 x 1150		160 x 60 x 1220	
Wheel type	mm	nylon / polyurethane			
Loading wheel	mm	Ø74 x 93	Ø74 x 93	Ø74 x 93	Ø74 x 93
Steering wheel	mm	Ø180 x 50	Ø180 x 50	Ø180 x 50	Ø180 x 50
Min. fork height	mm	75	75	75	75
Max. fork height	mm	190	190	190	190
Overall length	mm	1485	1485	1605	1605
Overall width	mm	550	550	685	685
Overall height	mm	1216	1216	1216	1216



Product colours depends on stock: red / yellow.



167)

Scissor Lift Pallet Truck			
Product code		SPA 15N	SPA 15
Capacity	kg	1500	
Overall width	mm	540	680
Fork size	mm	160 x 50	
Fork length	mm	1150	
Overall vehicle size	mm	1540 x 685 x 1235	
Min. fork height	mm	85	
Max. fork height	mm	800	
Loading wheel	mm	Ø74 x 50	
Steering wheel	mm	Ø180 x 50	

Product colours depends on stock: red / yellow.

- Hard chrome plated ram and piston.
- 3-position control, FAST-WORK-DOWN.
- Equipped with overload valve.
- One piece of formed steel "C" channel tapered, reinforced forks.
- Tapered fork ends and nylon rollers permit easy entry and exit of pallets.



168)



TFA 1000

Table Lifter

Product code		TFA 150	TFA 500	TFA 1000
Capacity	kg	150	500	1000
Min. height of platform	mm	220	290	390
Max. height of platform	mm	720	900	1000
Platform size	mm	700x450x40	815x510x50	1000x510x55
Foot pedal strokes reach max. height	mm	≤25	≤30	≤79

Product colours depends on stock: red / yellow.

169)

Double Scissor Table Lifter

Product code		TLD 500	TLD 1000
Capacity	kg	500	1000
Platform size	mm	910 x 510 x 50	1200 x 610 x 60
Min. / max. height of platform	mm	360 / 1500	500 / 1700
Foot pedal cycles to max.		≤76	≤145
Wheel size	mm	Ø125 x 50	Ø150 x 50

Product colours depends on stock: red / yellow.



170)



Table Lifter

Product code		TFD 350
Capacity	kg	350
Min. height of table	mm	360
Max. height of table	mm	1300
Platform size	mm	910 x 510 x 50
Handle height	mm	980
Foot pedal cycles to max.		≤74
Diameter of the wheel	mm	Ø125 x 50

Product colours depends on stock: red / yellow.

171)

Electric Hydraulic Table Lifter

Product code		ET100S	ET200S	ET4000S	ET100SD	ET200SD
Capacity	kg	1000	2000	4000	1000	2000
Min. height of table	mm	240	250	300	305	360
Max. height of table	mm	1300	1300	1400	1780	
Platform size	mm	1000 x 2000	1000 x 2000	1200 x 2200	1300 x 820	
Lowering speed		Controlled				
Service voltage	V	380				
Power	W	1000	1500	2200	2200	

Product colours depends on stock: red / yellow.



ET-S



ET-SD



FULLY AUTO STACKER

Product code		EST 152-1527	EST 152-1530	EST 152-1536
Drive unit		Electrics		
Operator type		Pedestrian		
Rated capacity (Q)	kg	1500		
Load center distance (c)	mm	500		
Load distance (x)	mm	798		
Wheel base (y)	mm	1212		
Weight				
Service weight (include battery)	kg	595		
Axle loading. laden driving side/loading side	kg	825/1270		
Axle loading. unladen driving side/loading side	kg	450/145		
Types Chassis				
Tyre type driving wheels/loading wheels		PU/PU		
Tyre size, driving wheels (diameter x width)	mm	Ø210x70		
Tyre size, loading wheels (diameter x width)	mm	Ø74x72		
Tyre size, caster wheels (diameter x width)	mm	Ø180x55		
Wheels, number driving, caster/loading (x=drive wheels)	mm	1x +1/4		
Track width, front, driving side	mm	531		
Track width, rear, loading side	mm	405		
Dimensions				
Height, mast lowered (h1)	mm	1956	2106	2406
Lift height (h3) + (h13)	mm	2720	3020	3620
Height, mast extended (h4)	mm	3271	3571	4171
Height drawer in driving position min. / max.	mm	750/1340		
Lowered height (h13)	mm	85		
Overall length (l1)	mm	1713		
Length to face of fork (l2)	mm	563		
Overall width (b1)	mm	792		
Fork dimensions (s/ e/ l)	mm	60/ 170/ 1150		
Fork carriage width	mm	680/770		
Distance between fork-arms	mm	570/685		
Ground clearance, carrier of wheelbase	mm	25		
Aisle width for pallets 1000 x 1200 crossways	mm	2224		
Aisle width for pallets 800 x 1200 lengthways	mm	2158		
Turning radius	mm	1390		
Performance Data				
Travel speed, laden/ unladen	km/h	4.2/4.5		
Lifting speed, laden/ unladen	m/ s	0.08/0.14		
Lowering speed, laden/ unladen	m/ s	0.11/0.10		
Max. gradeability, laden/ unladen	%	3/10		
Service brake type		electromagnetic		
Electric Engine				
Drive motor rating S2 60 min	kW	0.75		
Lift motor rating at S3 15%	kW	2.2		
The maximum allowed size battery	mm	260x165x210		
Battery voltage/ nominal capacity K5	V/Ah	2x 12/85		
Battery weight	kg	2x24		
Addition Data				
Type of drive unit		DC		
Steering type		mechanical		
Sound pressure level at the driver's ear	dB (A)	74		

172)



Strong chassis

The side impact beam, plates, and boxes make the chassis stronger and can greatly reduce stress and deformation caused by heavy load.

Rigid mast

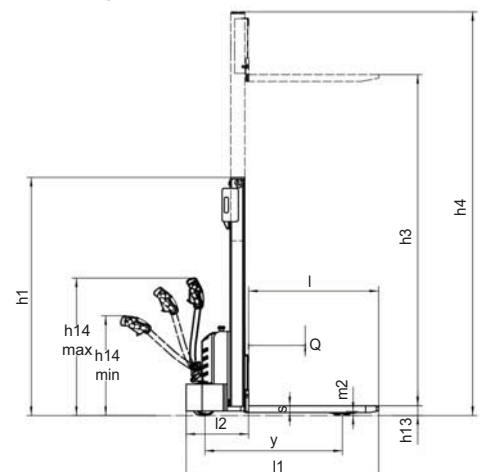
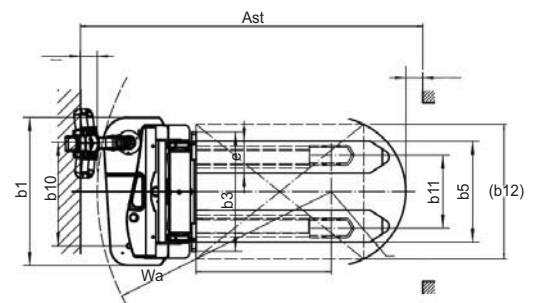
The rigidity of the mast is greatly improved by its beam structure to provide smooth lifting and stacking for daily operation.

Easy operation

The extra-long and offset tiller with the crawl speed button provides EST152 a better visibility and nimble maneuverability when operating in tight space.

Efficient hydraulic system

High quality hydraulic pump ensures very little noise, maximum efficiency, durability and shortens lifting time.





173)

Advantage

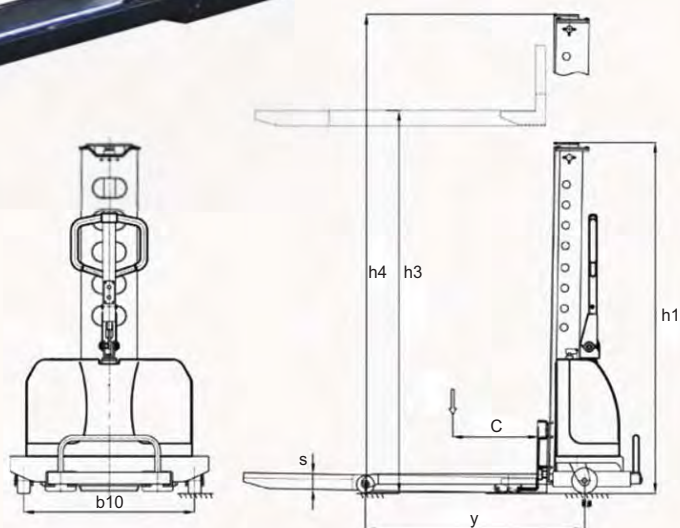
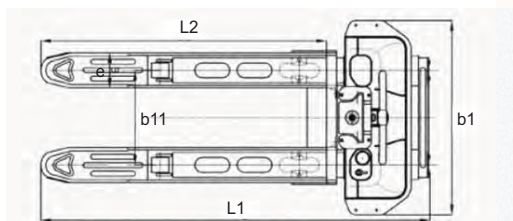
- Loading capacity: 500kg, 700kg, 1000kg is optional.
- Lifting height is 800-1500mm. At max lifting height, the loading is no reduce.
- Semi electric type self lifting stacker, the lifting and lowering speed is adjustable, according to the user's needs.
- Steering chain auxiliary device.
- Over discharge protection, extending battery life.
- Sealed batteries free of maintenance, safe operation and no pollution.
- Explosion-proof valve design, down more stable and reliable.
- 700kg model adds the design of the armrest to facilitate the lifting of the cargo.
- Add the design of the guide rail, makes pushing and pulling the goods more labor saving and convenient.



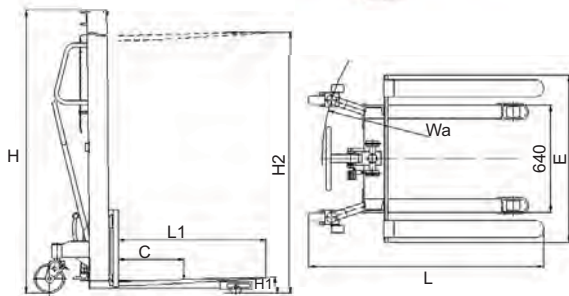
SELF LIFTING STACKER

Product code		ZTS 0513
Base		
Capacity	kg	500
Load center (C)	mm	400
Type of lifting	Electric	
Operating type	Walkie	
Wheel		
Material	Nylon / PU	
Wheel base (y)	mm	860
Front wheel base (b11)	mm	380
Back wheel base (b10)	mm	670
Qty of Steering / Bearing / Balance Wheel	2/2/6	
Bearing wheel	mm	Ø70 x 60
Steering wheel	mm	Ø100 x 50
Balance wheel	mm	Ø40 x 26
Training wheel	mm	Ø30 x 26
Dimension		
Min. fork height	mm	90
Max. fork height (h3)	mm	1300
Fork outside width	mm	535
Fork inside width	mm	225
Fork length	mm	1150
Single fork size (e/s)	mm	155/60
Overall length (L1)	mm	1600
Overall width (b1)	mm	790
Overall height (h1)	mm	1600
Whole height (after tape file shelf) (h4)	mm	2900
Length of vertical surface to fork (L2)	mm	1150
Min. turning radius	mm	1120
Performance		
Lifting speed (laden/unladen)	m/ s	80/110
Lowering speed (laden/unladen)	m/ s	80/80
Electrical		
Lift motor	V/Kw	12/0.8
Battery capacity	V/Ah	12/33
Weight		
Battery weight	kg	10

Product colours depends on stock: red / yellow.



174)

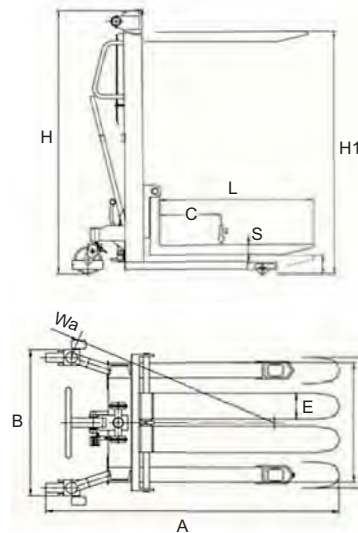


Hydraulic Manual Stacker				
Product code		RSD 1016	RSD 1516	RSD 2016
Base				
Capacity	kg	1000	1500	2000
Load center (C)	mm	400		
Type of lifting		Hand / Foot Pump		
Operating type		Walkie		
Wheel				
Material		Nylon		
Qty steering / loading wheel		2/2		
Wheel base	mm	1140		
Loading wheel	mm	Ø80 x 60		
Steering wheel	mm	Ø180 x 50		
Dimension				
Min. fork height (H1)	mm	90		
Max. fork height (H2)	mm	1600		
Fork outside width	mm	320-720	340-830	340-740
Fork inside width	mm	20-320	20-340	20-340
Fork length (L1)	mm	900		
Single fork size	mm	150/60	160/60	160/60
Overall length (L)	mm	1525	1525	1525
Overall width (E)	mm	790	890	790
Overall height (H)	mm	1985	2085	2085
Min. turning radius (Wa)	mm	1400		
Performance				
Foot pedal cycles to max. (laden)	times	≤76	≤110	≤110
Lowering speed (laden / unladen)	mm/s	Controlled		

Product colours depends on stock: red / yellow.

175)

Hydraulic Manual Stacker			
Product code		RSD 1025	RSD 1030
Base			
Capacity	kg	1000	1000
Load center (C)	mm	400	
Type of lifting		Hand / Foot Pump	
Operating type		Walkie	
Wheel			
Material		Nylon	
Quantity of Steering / loading wheel		2/2	
Wheel base (Y)	mm	1140	
Loading wheel	mm	Ø80 x 60	
Steering wheel	mm	Ø180 x 50	
Dimension			
Min. fork height	mm	90	
Max. fork height (H1)	mm	2500	3000
Fork outside / inside width	mm	320-720 / 20-320	
Single fork size (E) x (S)	mm	150 x 60	
Fork length (L)	mm	1000	
Overall length (A)	mm	1525	
Overall width (B)	mm	790	
Overall height (H)	mm	1825	2085
Minimum turning radius (Wa)	mm	1400	
Performance			
Max. pump pressure (laden)	times	≤ 95	≤120
Lowering speed (laden / unladen)	m/ s	Controlled	

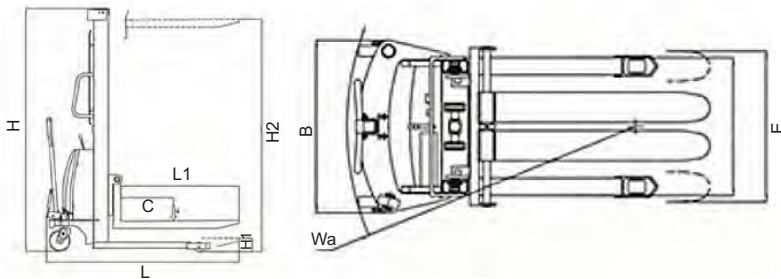


Product colours depends on stock: red / yellow.

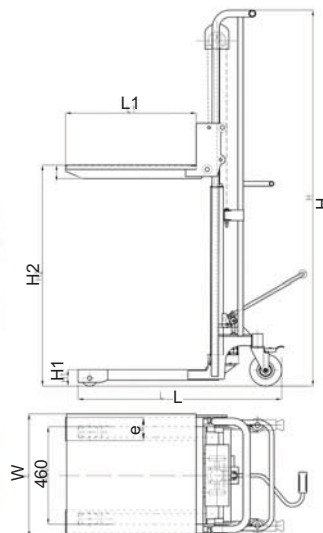
176)

Semi Auto Stacker							
Product code		SEM 1025	SEM 1030	SEM 1035	SEM 1525	SEM 1530	SEM 1535
Capacity	kg	1000			1500		
Load center (C)	mm	450					
Type of lifting		Electric					
Operating type		Walkie					
Wheel							
Material		Nylon					
Qty of Steering / loading wheel		2/2					
Wheel base	mm	1182					
Loading wheel	mm	Ø80 x 60					
Steering wheel	mm	Ø180 x 50					
Dimension							
Min. fork height (H1)	mm	90					
Max. fork height (H2)	mm	2500	3000	3500	2500	3000	3500
Fork outside width (E)	mm	320-740					
Fork inside width	mm	20-440					
Fork length (L1)	mm	1150					
Single fork size	mm	150/60					
Overall length (L)	mm	1810					
Overall width (B)	mm	770					
Overall height (H)	mm	1830	2080	2330	1880	2130	2380
Maximum lifting stroke	mm	2410	2910	3410	2410	2910	3410
Minimum turning radius (Wa)	mm	1450					
Performance							
Max. lifting height (laden / unladen)	mm/s	40-50 / 85-95					
Lowering speed (laden / unladen)	mm/s	90-110 / 85-95					
Electric							
Lifting motor	Kw	1.6					
Battery capacity	V/Ah	12V120					

Product colours depends on stock: red / yellow.



177)



Manual Platform Stacker		
Product code		PS 0415
Capacity	kg	400
Load center	mm	350
Type of lifting	mm	Foot
Operating type	mm	Walkie
Material of wheel	mm	PU
Bearing wheel	mm	Ø75 x 42
Steering wheel	mm	Ø150 x 38
Min. / Max. fork height (H1) / (H2)	mm	90 / 1500
Fork outside / inside width	mm	550 / 310
Single fork size (e x W x L1)	mm	60 x 120 x 615
Overall size (H x W x L)	mm	1770 x 610 x 1000
Min. turning radius	mm	1022
Fork lifting height to maximum pump pressure times		≤48
Lowering speed		Foot control

Product colours depends on stock: red / yellow.

178)



CRO 4R
(Rigid)

CRO Series Mover Skate				
Product code		CRO 4R	CRO 6R	CRO 8R
Capacity	tonne	6	8	12
Dimension LxWxH	mm	304x222x95	404x222x95	504x222x95
Net weight	kg	13	20	26
Package	mm	320x240x110	420x240x110	520x240x110
Accessories		Steering handle		

179)



CRA 4S
(Swivel)

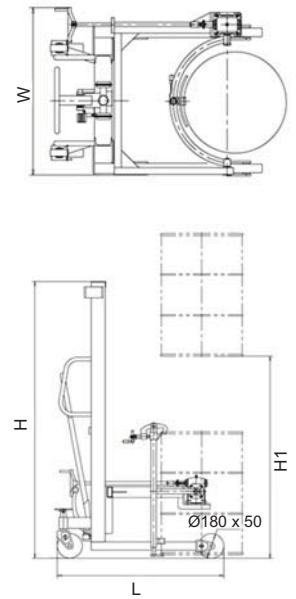
CRA Series Mover Skate				
Product code		CRA 4S	CRA 6S	CRA 8S
Capacity	tonne	6	8	12
Dimension LxWxH	mm	304x222x110	404x222x110	504x222x110
Net weight	kg	14.5	21.5	27.5
Package	mm	320x240x120	420x240x120	520x240x120
Accessories		Steering handle		

- Transport trolleys can be used wherever heavy objects have to be moved.
- The load can be lifted using either the roller crowbar on a jack allowing the transport trolleys to be easily positioned.

180)



Manual Drum Handler		
Product code		COT 400
Capacity	kg	400
Type of lifting	Hand / Foot Pump	
Operating type	Walkie	
Tilt angle	180°	
Wheel		
Material	Nylon	
Qty of Steering / loading wheel	2/2	
Wheel base	mm	1080
Loading wheel	mm	Ø180 x 50
Steering wheel	mm	Ø180 x 50
Dimension		
Drum vertical lifting height (H1)	mm	1450
Drum elevation level	mm	1350
Drum 135° tilt height	mm	1250
Overall length (L)	mm	1200
Overall width (W)	mm	960
Overall height (H)	mm	2030
Min. turning radius	mm	1250



Product colours depends on stock: red / yellow.



181)

4 Wheel Multi Function Drum Truck

Product code: **50MF**

- Load / unloads off pallet and ground.
- Transport drum on 4 wheels.
- Roller bearing wheels enable agitation of drum contents while in a horizontal position.
- Load capacity 300kgs.

Product colours depends on stock.



182)

2 Wheel Easy Tilt Drum Truck

Product code: **5ET**

- Perfect axle placement and ball bearing centered wheel guarantee strain free drum transport.
- Load capacity 300kgs.

Product colours depends on stock.

183)



Product colours depends on stock: red / yellow.

Hand Pump Drum Porter

Product code		DT 250
Capacity	kg	250
Type of lifting	mm	Hand pump
Operating type	mm	Walkie
Suitable for drum	mm	Ø590, 55 gallon steel drum
Wheel		
Qty of steering / loading wheel		1/2
Loading wheel	mm	Ø180 x 50
Steering wheel	mm	Ø125 x 35
Dimension		
Drum vertical lifting height	mm	280
Inside leg width	mm	630
Overall length	mm	810
Overall width	mm	820
Overall height	mm	1050
Min. turning radius	mm	1250

184)



Foot Pump Drum Porter

Product code		DTF 450
Capacity	kg	365
Suitable drum size	gallon	Ø590, 55 gallon steel drum
Lifting height	mm	640
Overall size	mm	1160 x 1220 x 800
Wheel size	mm	Ø150 x 50, Ø100 x 32

Product colours depends on stock: red / yellow.

185)



- › All steel construction.
- › For lifting 210 litre drums with overhead hoist.
- › For open top and tight head steel drum.
- › When central over the horizontal to set locking lever in locked open position, drum release lever allow hooks to fall and locate under both rims. Hooks automatically engage as is lifted and disengage as drum is set down.

Overhead Horizontal Drum Clamp

Product code		DN 500
Capacity	kg	500
Drum	gallon / litre	55 / 210
N.W.	kg	7.6

Product colours depends on stock: red / yellow.

186)



Overhead Chain Clamp

Product code		SL 1
Rated capacity	kg	1000
Chain size	mm	Ø6x18
Chain length	mm	500
N.W.	kg	3.6

Product colours depends on stock available.

187)



- › Suitable for lifting drums in vertical position.
- › It is manufactured by low carbon high quality alloy steel forging.
- › Easy drum tongs is subject to test load at 1.5x rated load capacity.

Drum Tongs

Product code		QT 200
Capacity	kg	200
Jaw opening	mm	1-9
N.W.	kg	1.3

Product colours depends on stock available.

188)



- For lifting 210 litre open top and tight head steel drum, and plastic drums with L or X rings.
- Welded gripping hocks.
- Fitted with 20mm diameter steel pin for attaching to overhead hoist or crane.

Drum Tongs

Product code	DL 360	
Capacity	kg	360
Drum	gallon / litre	55 / 210
N.W.	kg	4.5

Product colours depends on stock: red / yellow.

189)



- All steel construction.
- Easy moves and handle open or closed head loaded steel drums. Allows quick, gentle loading into overpacks and keeps drums upright during lift, reducing spills and injuries.
- Works easily with overhead hoist or hook from forklift.

Overhead Vertical Drum Clamp

Product code	DL 350	
Capacity	kg	350
Drum	litre	210
N.W.	kg	6.69

Product colours depends on stock: red / yellow.

190)



Overhead Rotation Clamp

Product code	LG 800	
Rated capacity	kg	365
Drum	gallon / litre	55 / 210
Net Weight	kg	38

Product colours depends on stock: red / yellow.

191)



Forklift Drum Tipper

Product code	HK285A	
Rated capacity	kg	364
Drum	gallon / litre	55 / 210
Fork opening	mm	620
Fork pocket	mm	65H x 180W
Weight	kg	70

Product colours depends on stock: red / yellow.

192)



Eagle Grip Forklift Single Drum Attachment

Product code	EG 1	
Rated capacity	kg	360
Drum	gallon / litre	55 / 210
Net weight	kg	60

Product colours depends on stock: red / yellow.

193)

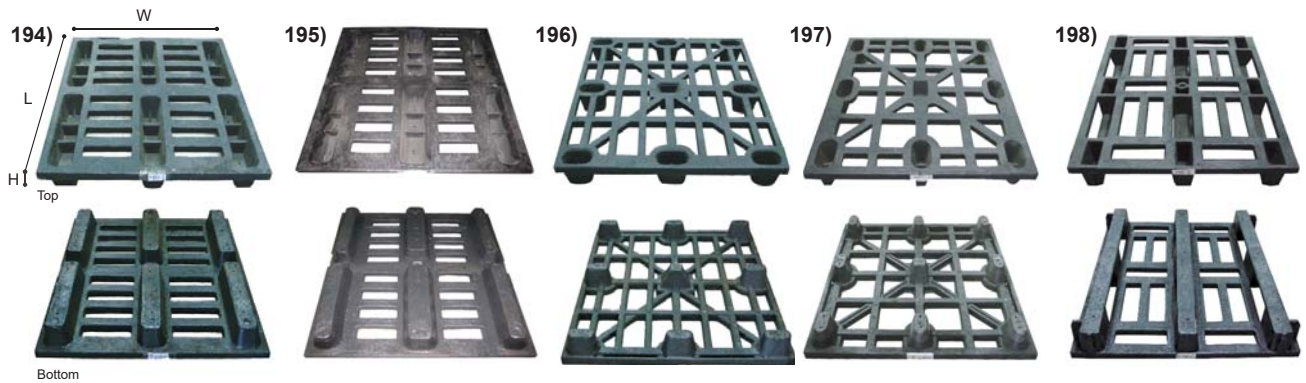


Eagle Grip Forklift Double Drum Attachment

Product code	EG 2	
Rated capacity	kg	720
Drum	gallon / litre	(55 / 210) x 2
Net weight	kg	96

Product colours depends on stock: red / yellow.

PLASTIC PALLET



Product code		PP1 (Heavy Duty)	PP2 (Heavy Duty)	PP3 (Heavy Duty)	PP4 (Heavy Duty)	PP5 (Heavy Duty)
Dimension	mm	1200W x 1200L x 140H	1000W x 1200L x 130H	1200W x 1200L x 150H	1000W x 1200L x 150H	1000W x 1200L x 160H
Function		Stackable	Stackable	Stackable	Stackable	Non-reversible
Weight	kg	47 ±	35 ±	35 ±	29 ±	40 ±
Static load	ton	4.5	4.5	4.5	4.5	4.5
Dynamic load	ton	1.5	1.5	1.5	1.5	1.5



Product code		PP6 (Heavy Duty)	PP7 (Heavy Duty)	PP8 (Heavy Duty)	PP9 (Export use)	PP10 (Export use)
Dimension	mm	1110W x 1110L x 130H	1030W x 1220L x 160H	1220W x 1220L x 160H	1020W x 1220L x 135H	1130W x 1130L x 130H
Function		Reversible	Non-reversible	Non-reversible	Stackable	Non-reversible
Weight	kg	46 ±	44 ±	46 ±	6.8 ±	9.0 ±
Static load	ton	5.0	4.5	4.5	2.0	2.0
Dynamic load	ton	2.0	1.5	1.5	1.0	1.0

204)



Product code		S1010	S1110	S1111	S1210	S1211
Dimension	mm	1000 x 1000 x 140	1000 x 1100 x 140	1100 x 1100 x 140	1200 x 1000 x 140	1200 x 1100 x 140
Function		Non-reversible				
Weight	kg	6.5 ±	7 ±	7.6 ±	7.5 ±	8.3 ±
Static load	kg	2000kg unified load				
Dynamic load	kg	1000kg unified load				

* Materials & specifications are subject to change without prior notice.

PLASTIC PALLET

205)



Top



Bottom

Product code		SH1010	SH1110	SH1111	SH1210	SH1211
Dimension	mm	1000 x 1000 x 140	1000 x 1100 x 140	1100 x 1100 x 140	1200 x 1000 x 140	1200 x 1100 x 140
Function		Non-reversible				
Weight	kg	8 ±	8.5 ±	9 ±	8.9 ±	9.7 ±
Static load	kg	2000kg unified load				
Dynamic load	kg	1000kg unified load				
Racking load	kg	300kg unified load				

206)



Top

207)



208)



Top

209)



Bottom



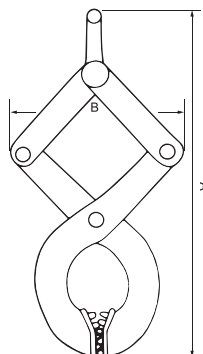
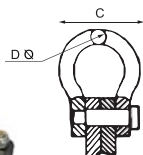
Bottom



Product code		F1210 (Double Deck)	M1111 (Double Deck)	L1111 (Double Deck)	MF1210
Dimension	mm	1000W x 1200L x 150H	1100W x 1100L x 150H	1100W x 1100L x 120H	1200W x 1000L x 150H
Function		Non-Reversible	Non-reversible	Non-reversible	Non-reversible
Weight	kg	22 ±	16 ±	9 ±	9 ±
Static load	kg	4000kg unified load	4000kg unified load	2000kg unified load	4000kg unified load
Dynamic load	kg	1000kg unified load	1000kg unified load	1000kg unified load	1000kg unified load
Racking load	kg	1000kg unified load	500kg unified load	N/A	1000kg unified load

PALLET PULLER

210)



Pallet Puller		
Product code	VK 2	
Capacity	kg	2000
Range	mm	30-200
Dimension	mm	(A) 340-552
		(B) 310-390
		(C) 88
		(D) 19
Packing measurement	mm	405 x 285 x 90 (Internal)
		590 x 415 x 210/4pcs (External)
Net weight	kg	9

211)



Aluminium Single Sided Ladder
Product code: **K104 - K116**

Features

- Available in many sizes from 4 to 16 steps.
- Economical model for general application.
- Wide non-slip step provide comfort and stability.
- Powder coated and durable.
- Extra double groove design for better loading.

212)



Aluminium Double Sided Ladder
Product code: **SDS04 - SDS16**

Features

- Available in many sizes from 4 to 16 steps.
- Identical front and back sections allow access from either side.
- Wide flat top good for tool test.
- Natural anodized for durability.

213)



Aluminium Single Sided Heavy Duty Ladder
Product code: **HD04 - HD18**

Features

- Available in many sizes from 4 to 18 steps.
- Heavy duty siderails for exceptional load rating.
- Wide non-slip step provide comfort and stability.
- Powder coated.

214)



Aluminium Double Sided Heavy Duty Ladder
Product code: **DSHD04 - DSHD18**

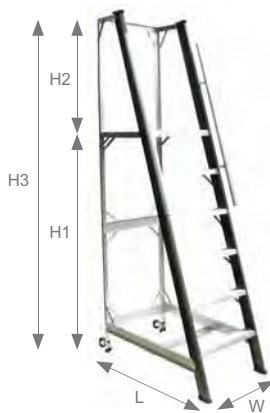
Features

- Available in many sizes from 4 to 18 steps.
- Heavy duty siderails for exceptional load rating.
- Wide non-slip step provide comfort and stability.
- Powder coated.

Design for: General household application.

Product Code	-	K104	K105	K106	K107	K108	K109	K110	K111	K112	K114	K116	-
		SDS04	SDS05	SDS06	SDS07	SDS08	SDS09	SDS10	SDS11	SDS12	SDS14	SDS16	-
		HD04	HD05	HD06	HD07	HD08	HD09	HD10	HD11	HD12	HD14	HD16	HD18
		DSHD04	DSHD05	DSHD06	DSHD07	DSHD08	DSHD09	DSHD10	DSHD11	DSHD12	DSHD14	DSHD16	DSHD18
Steps	-	4	5	6	7	8	9	10	11	12	14	16	18
Height	mm	1016	1270	1524	1778	2032	2286	2540	2807	3061	3569	4077	4585

215)



Wide platform 20"x20" with heavy duty siderail & handrail.

Aluminium Warehouse Step Ladder

Design for: Ideal for factory or warehouse heavy duty application where extra wide working platform serves as good rest.

Features

- Available in 6 to 10 steps.
- Design for warehouse & factory with goods storage rack.
- Large platform 20" x 20" provide comfortable working area.
- Rear rolling wheel provide higher mobility.

Product Code		HWS06	HWS08	HWS10
Steps	-	6	8	10
H1	mm	1480	1988	2496
H2	mm	743		
H3	mm	2223	2731	3239
W	mm	524		
L	mm	937	1089	1220

216)



Aluminium E Double Step Ladder

Design for: General household application.

Features

- Available in many sizes from 3 to 8 steps.
- Made of light weight aluminium profiles and high-impact plastic parts for easy transit.
- PVC rubber shoes on 4 feet to ensure grip on floor when in use.

Product Code		EDL03	EDL04	EDL05	EDL06	EDL07	EDL08
Steps	-	3	4	5	6	7	8
Height	mm	762	1016	1270	1524	1778	2032

217)



Aluminium E Ladder

Easy operation durable zinc plated steel hinge with spreader to enhance spread looking.

- Quarter circle shaped 70mm extra wide steps provides firm footing and comfort.
- Natural anodized & colour PVC for durability.



Product Code		EL03	EL04	EL05	EL06	EL07	EL08
Steps	-	3	4	5	6	7	8
Upright Length	mm	1133	1387	1641	1895	2149	2403

* Materials & specifications are subject to change without prior notice.

218)



Aluminium 2 Way Ladder

Product Code	Steps	Full Length (mm)	Folded Length (mm)
TW4	8	2108	1058
TW5	10	2628	1318
TW6	12	3148	1560
TW7	14	3668	1838
TW8	16	4188	2098

Design for: General household application.

219)



Aluminium 3 Way Heavy Duty Ladder

Product Code	Steps	Full Length (mm)	Folded Length (mm)
3W05	10	3189	1593
3W06	12	3775	1886
3W07	14	4361	2179
3W08	16	4947	2472
3W09	18	5533	2765
3W10	20	6119	3058

Design for: General household application to light industry application.

220)



Aluminium 2 in 1 Ladder

Product Code	Steps	'A' Type Height (mm)	Extended Length (mm)
GL05	5	1275.08	2085.34
GL06	6	1529.08	2339.34
GL07	7	1783.08	2593.34
GL08	8	2037.08	2847.34

Design for: Light industrial applications and renovation works. Also general household application where it can be formed into either long straight ladder or self-supporting 'A' type ladder.

221)



Aluminium Multi-purpose Ladder

Product Code	Steps	Straight Length (mm)	A-Type Length (mm)	Platform Length (mm)	Folded Length (mm)	Leg Spread (mm)
SMP08	8	2601	1303	775	766	595
SMP10	10	3185	1590	1069	1055	595
SMP12	12	3769	1885	1069	1055	595
SMP14	14	4386	2194	1360	1351	595
SMP16	16	4940	2476	1360	1351	595

ectural renovations works.

222)



Aluminium Single Pole Ladder

Product Code	Rung (ft)	Full Length (m)
SM08SP	7	2.36
SM10SP	9	2.96
SM12SP	11	3.56
SM15SP	14	4.46
SM16SP	15	5.06
SM18SP	17	5.66
SM20SP	19	6.26

Design for: Industrial application where access to higher level of height is required.

223)



Aluminium Double Extension Ladder

Product Code	Rung (ft)	Length (m)	Extended (m)
SM08DE	14	2.36 x 2.36	4.14
SM10DE	18	2.96 x 2.96	5.34
SM12DE	22	3.56 x 3.56	6.54
SM15DE	28	4.46 x 4.46	8.34
SM16DE	30	5.06 x 5.06	8.42
SM18DE	34	5.66 x 5.66	9.62
SM20DE	38	6.26 x 6.26	10.82

Design for: Architectural renovation works and industrial application where access to higher height is in demand.

224)



Aluminium Triple Extension Ladder

Product Code	Rung (ft)	Length (m)	Extended (m)
SM08TE	21	2.36 x 2.36 x 2.36	5.92
SM10TE	27	2.96 x 2.96 x 2.96	7.72
SM12TE	33	3.56 x 3.56 x 3.56	9.52
SM15TE	42	4.46 x 4.46 x 4.46	12.22
SM16TE	45	5.06 x 5.06 x 5.06	12.34
SM18TE	51	5.66 x 5.66 x 5.66	14.14
SM20TE	57	6.26 x 6.26 x 6.26	15.94

Design for: Architectural renovation works and industrial application. From general household application to factory access equipment.