



EFS101-1027

Electric Forklift

- Compact size and light weight
- User-centric design
- Integrated charger
- Market-proven and mature components

www.ttf.com.my

FEATURE

■ Compact size and light weight

The EFS101-1027 features compact chassis, which is significantly smaller than ones with the same tonnage in the industry. It is optimized for the flexibility in narrow space thanks to its short turning radius 1278mm. In addition, operators can take advantages of its light weight 1650kg to cover cargo lift and mezzanine usage.



■ User-centric design

The EFS101-1027 ensures high ground clearance compared to regular forklifts with same tonnage and can ride smoothly on uneven surfaces. Operators can drive the EFS101-1027 comfortably due to the ergonomic foot pedal design. The EFS101-1027 also comes with the electronic power steering system, which provides a precise operation and enhances great maneuverability.



■ Integrated charger

The EFS101-1027 is equipped with a 24V-25A integrated charger, which offers operators convenience and flexibility in daily usage.



■ Market-proven and mature components

The EFS101-1027 uses market-proven spare parts, which promise safety and reliability. It comes with a 24V/220AH long-lasting AGM battery and the Curtis Controller, which helps increase efficiency and reduce operation costs.

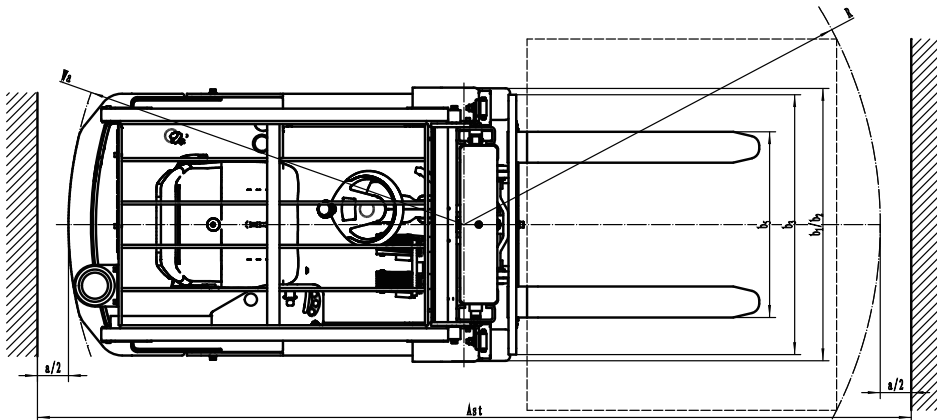
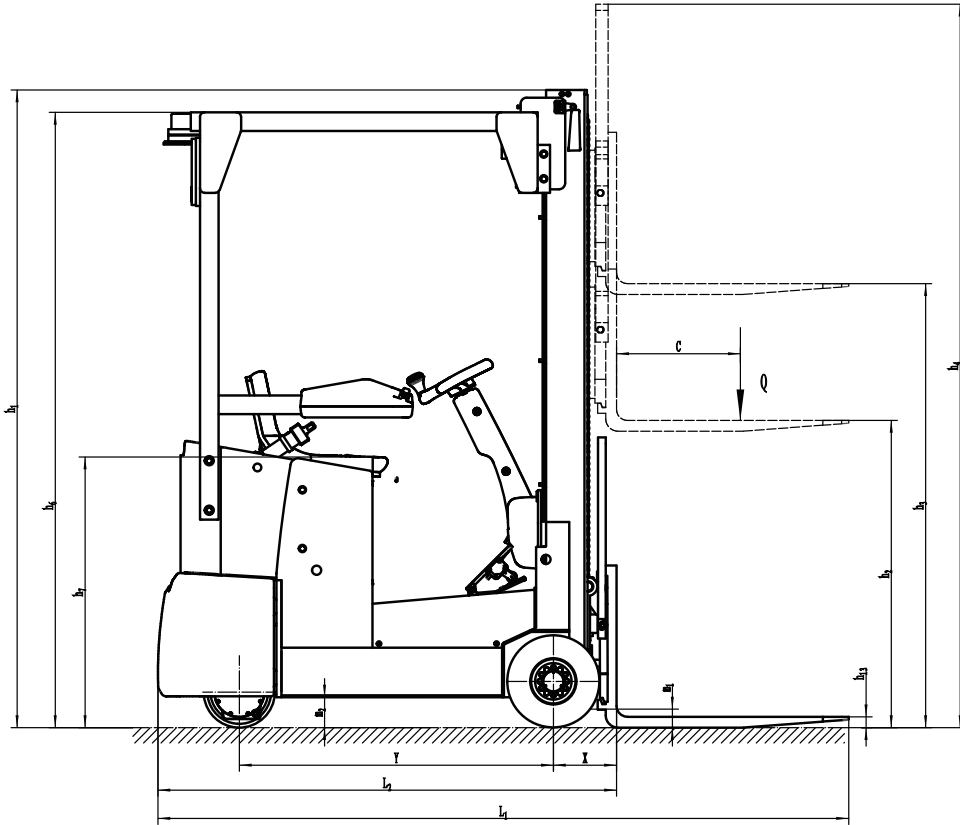


Electric Forklift

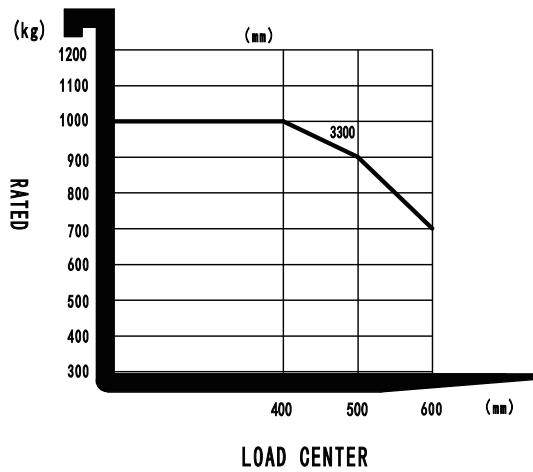
EFS101-1027

| | | | | | |
|---------------------|----------------|---|----------------|-------|---------------------------|
| Distinguishing mark | 1.2 | Model designation | | | EFS101-1027 |
| | 1.3 | Drive unit | | | Electric |
| | 1.4 | Operator type | | | Seated |
| | 1.5 | rated capacity | Q | kg | 990 |
| | 1.6 | Load center distance | c | mm | 400 |
| | 1.8 | Load distance, centre of drive axle to fork | x | mm | 204 |
| Service weight | 1.9 | Wheelbase | y | mm | 1015 |
| | 2.1 | Service weight | | kg | 1520 |
| | 2.2 | Axle loading, laden front/rear | | kg | 2150/360 |
| Tyres/chassis | 2.3 | Axle loading, unladen front/rear | | kg | 920/900 |
| | 3.1 | Tyre type | | | Polyurethane/Solid rubber |
| | 3.2 | Tyre size, front | | | 3.50-5 |
| | 3.3 | Tyre size, rear | | | 230×90 |
| | 3.5 | Wheels, number front/rear (x=drive wheels) | | mm | 1x./2 |
| | 3.6 | Tread, front | b10 | mm | 779 |
| | 3.7 | Tread, rear | b11 | mm | — |
| Dimensions | 4.1 | Tilt of mast/fork carriage forward/backward | α/β | ° | 3/3 |
| | 4.2 | Height, mast lowered | h1 | mm | 2061 |
| | 4.3 | Free lift | h2 | mm | — |
| | 4.4 | Lift height | h3 | mm | 3000 |
| | 4.5 | Height, mast extended | h4 | mm | 3908 |
| | 4.7 | Height of overhead/ guard cabin | h6 | mm | 1988 |
| | 4.8 | Seat height/standing height | h7 | mm | 878 |
| | 4.12 | Tow coupling height | h10 | mm | — |
| | 4.19 | Overall length | l1 | mm | 2402 |
| | 4.20 | Length to face of forks | l2 | mm | 1482 |
| | 4.21 | Overall width | b1/b2 | mm | 894 |
| | 4.22 | Fork dimensions | s/e/l | mm | 35×100×920 |
| | 4.23 | A,B Fork carriage class/type A, B | | | 2A |
| | 4.24 | Fork carriage width | b3 | mm | 840 |
| | 4.31 | Ground clearance, laden, below mast | m1 | mm | 60 |
| | 4.32 | Ground clearance, center of wheelbase | m2 | mm | 98 |
| | 4.34.1 | Aisle width for pallets 1000×1200 crossways | Ast | mm | 2824 |
| | 4.34.2 | Aisle width for pallets 800×1200 crossways | Ast | mm | 2938 |
| 4.35 | turning radius | Wa | mm | 1278 | |
| Performance data | 5.1 | Travel speed, laden/unladen | | km/h | 6/8 |
| | 5.2 | Lifting speed, laden/unladen | | m/s | 0.13/0.2 |
| | 5.3 | Lowering speed, laden/unladen | | m/s | 0.16/0.15 |
| | 5.5 | Drawbar pull, laden/unladen | | N | — |
| | 5.6 | Max. drawbar pull, laden/unladen | | N | — |
| | 5.8 | Max. gradeability, laden/unladen | | % | — |
| Electric-engine | 5.10 | Service brake | | | Electromagnetic |
| | 5.11 | Parking brake | | | Electromagnetic |
| | 6.1 | Drive motor rating S2 60 min | | kW | 1.6 |
| | 6.2 | Lift motor rating at S3 15% | | kW | 2.2 |
| | 6.4 | Battery voltage/nominal capacity | | V/Ah | 24/220 |
| Addition data | 6.5 | Battery weight | | kg | 140 |
| | 8.1 | Type of drive unit | | | AC |
| | 10.5 | Steering design | | | Electronic |
| | 10.7 | ound pressure level at the driver's ear | | dB(A) | 74 |

If there are improvements of technical parameters or configurations, no further notice will be given.
The diagram shown may contain non-standard configurations.



RATED CAPACITIES GRAPH



Mast Option

| Mast types | Lift height (h3) | Height, Mast | | | Height, Free lift(h2) | |
|-----------------------|-----------------------|-----------------------------|---------------------------|------|-----------------------|---------------|
| | | Height, mast lowered(h1) | Height, mast extended(h4) | | No backrest | With backrest |
| | No backrest | | With backrest | mm | | |
| | mm | mm | mm | | mm | mm |
| 2 Stage Standard Mast | 3000 | 2061 | 3494 | 3908 | — | — |
| 2 Stage Standard Mast | 2700 | 1911 | 3194 | 3608 | — | — |
| 2 Stage Standard Mast | 2500 | 1811 | 2994 | 3408 | — | — |

Option

| No. | Optional items | EFS101-1027 |
|------|----------------------|-------------------------------|
| 1.1 | Fork length | ●920○1070 |
| 2.2 | Load wheel material | ●Rubber |
| 2.3 | Drive wheel material | ●PU |
| 2.7 | Battery capacity | ●220Ah |
| 2.8 | Charger | ●24V-25A Internal |
| 2.9 | Battery indicator | ●With time |
| 2.11 | Attachments | ●No |
| 3.1 | Folding fork | ●No○Yes and can be customized |

Note: ●Standard ○ Optional - Inconformity

